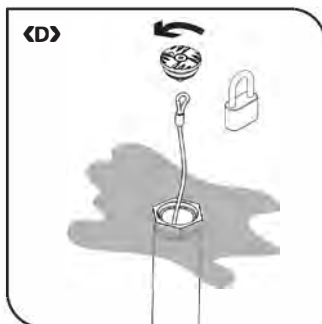
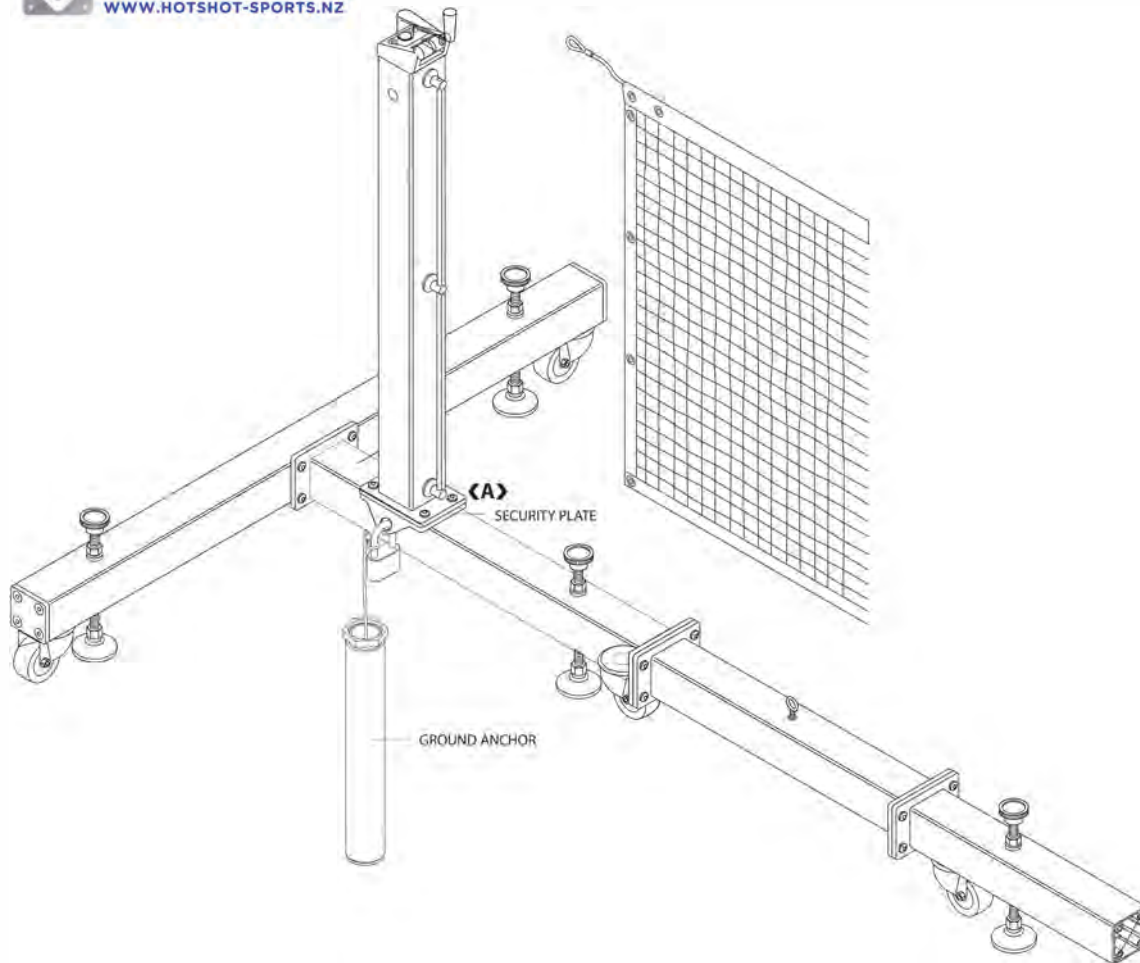


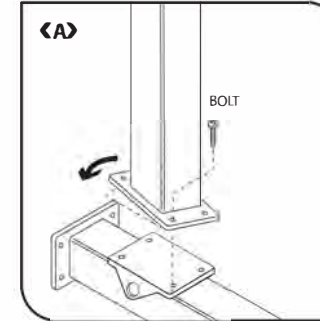
# Ground Anchor | Installation instructions

REQUIRED  
TOOLS:

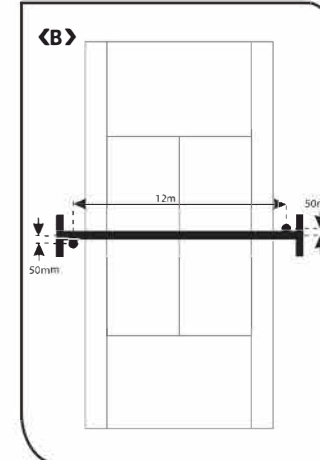
5mm



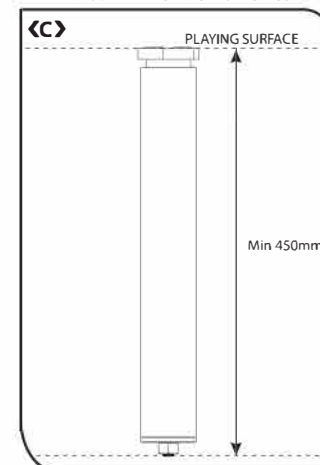
## ATTACHING SECURITY PLATES



## POSITIONING THE GROUND ANCHORS



## ATTACHING THE NET TO WINDING END POST



## CONTENTS CHECKLIST:

- If installing to an existing Hot Shot Mobile Tennis System you shall require
- 2 x Stainless Steel Security Plates
- 2 x Ground Anchors
- 2 x Padlocks (Not Supplied)

## INSTALLATION INSTRUCTION:

- Remove post uprights from the main beam.
- Slide security plates between post uprights and main beam. Ref Diag <A>
- Re-attach post uprights with cap screws.
- Two ground anchors per Tennis Mobile Unit required, located as outlined in Diag <B>
- Flush fit with ground surface by concreting into position. Ref Diag <C>
- To secure Tennis Mobile Unit, remove ground anchor lid by loosening allen key cap screw. Draw cable up to security plate. Use your own padlock to secure. Ref Diag <D>

